

# PA & PB SERIES AERATORS



## PARTS / ASSEMBLY GUIDE



### **⚠ WARNING**



Before operating your machine, stop and read this owners manual. Do not attempt to operate the unit until you fully understand the material covered in this manual. Without the knowledge contained in this manual, injury or death can result.

# Assembly

Your Aerator comes fully assembled except the light kit and SMV placard that must be installed before operation begins.

## Step: 1

Find and mount your light kit into the mounting holes on the outside rear corners of your unit. Route the wiring harness through the frame so that your weights or weight boxes will not make contact or rub the wiring, use the provided wiring clips to secure the wiring onto the frame. The female plug on the end of the wiring has a storage mount when not in use, it is located on the center bracket of the 3-point hitch. This storage bracket requires a 1/4 twist to hold the plug into the storage bracket.



## Step: 2

Find and mount your SMV placard into the bracket on the rear of the unit.



# Assembly

## MOUNTING INSTRUCTIONS FOR PULL KIT

### Step: 1

Find and mount tires and wheels onto hub of transport dollie.

### Step: 2

Align transport dollie with the mounting brackets on the back of aerator frame, when mounting points are aligned install pins into the brackets. Make sure the flat sides align with the stops welded to the outside of one mounting bracket. Drive roll pins into pins to secure pins into frame.



### Step: 3

Find and mount hydraulic cylinder on upper cylinder mount on rear of frame and onto the transport dollie, using mounting pins on hydraulic cylinder. Connect hydraulic hoses onto cylinder and route hoses through U-bolt brackets welded onto frame and secure with straps and nuts.



# Assembly

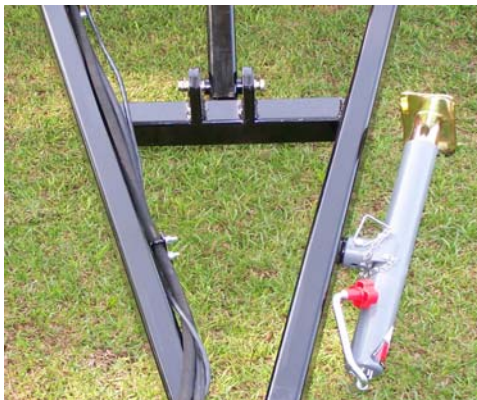
## Step: 4

Find and mount tongue into the front 3-point hitch using the CAT.II hitch pins. Mount tongue brace into top link positions and tongue height bracket on tongue assembly. This adjustable height bracket will need to be adjusted to match your tractor's draw bar height, allowing the tongue to stay in a level position during operation.



## Step:5

Find and mount tongue jack onto pivot tube welded to tongue. Continue to route hydraulic hoses down the tongue and secure through welded U-bolt mounts and straps.



REPLACEMENT PARTS  
FOR ALL PA- SERIES  
BROWN AERATORS

MODEL#'S  
PA-800, PA-1000  
PA-1200 & PA-1500

# Replacement Parts PA-Series



# Replacement Parts PA-Series

Ref. No.	Part No.	Description
1	225-0001	Spool, 7.25", "DISREGARD NUMBER IN CASTING"
2	225-0002	Spool, end
3	NSB50CZ	Nut, stover lock, 1/2"
4	HC88C44Z	Bolt, 1/2-13 x 2-3/4 GR 8
5	225-0003	Tine, LH
	225-0004	Tine, RH
	225-0123	Tine, set of 12 #225-0003
	225-0124	Tine, set of 12 #225-0004
6	225-0045	Guard, bearing
7	225-0005	Spring, C-flex shank, RH
	225-0006	Spring, C-flex shank, LH
8	700-225-0010	Bracket, C-flex shank
9	HC812F136Z	Bolt, 3/4-16 X 8-1/2", grade 8
10	NNE834FZ	Nut, nylon lock, 3/4-16, grade 8
11	225-0056	Block, stop, C-flex spring, LH
	225-0057	Block, stop, C-flex spring, RH
12	225-0058	Chain, assembly, safety
13	HC512C72Z	Bolt, 3/4-10 X 4 1/2", grade 5
14	NNE34FZ	Nut, nylon lock, 3/4-10
15	225-0007	Bearing, 1-1/2"

# Replacement Parts PA-Series



16



17



18



19



20



21



22



23



24



25

26



27

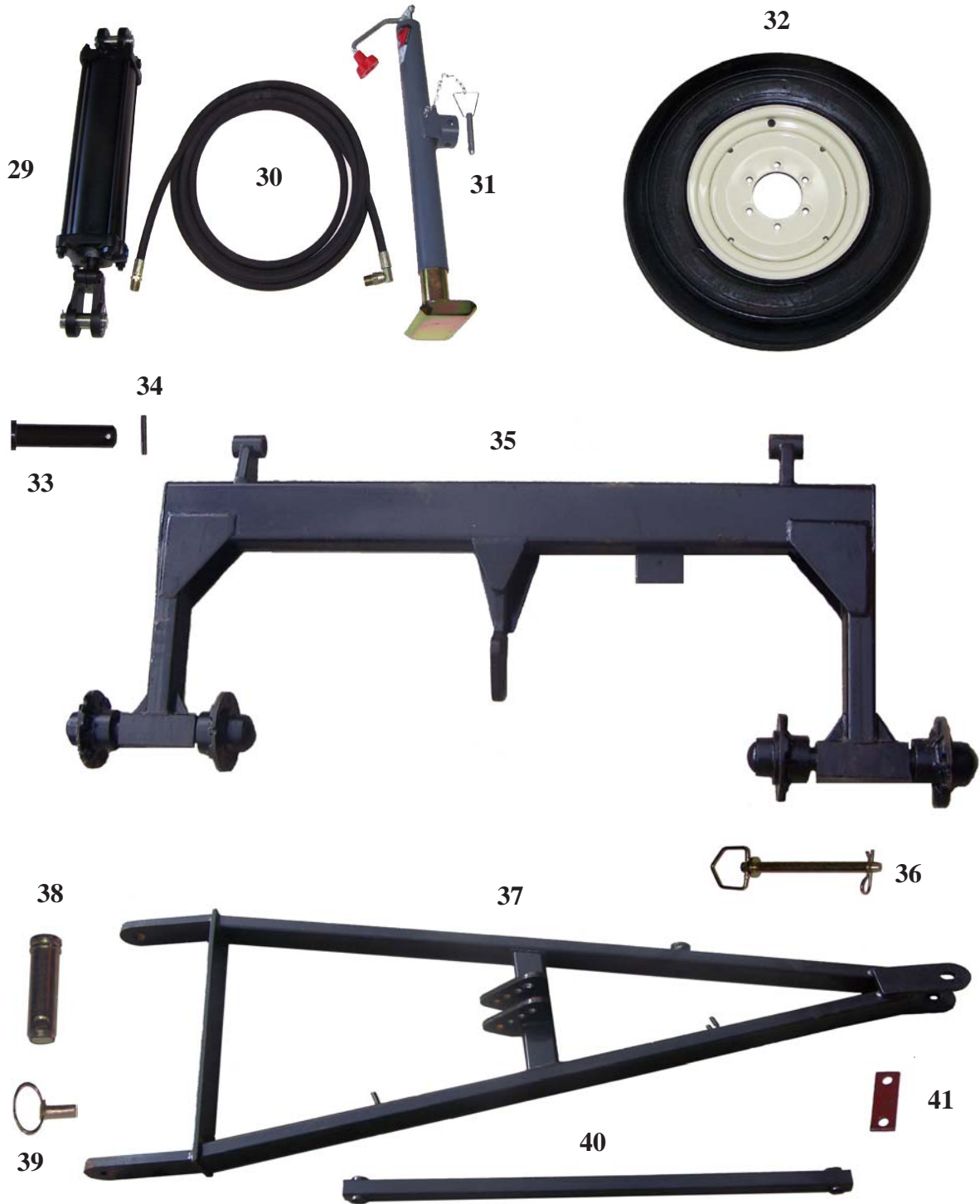


28

# Replacement Parts PA-Series

Ref. No.	Part No.	Description
16	225-0036	Axle, weldment, 8', PA-800
	225-0037	Axle, weldment, 10' PA-1000
	225-0038	Axle, weldment, 12' PA-1200
	225-0039	Axle, weldment, 15' PA-1500
17	NTE112FZ	Nut, 1-1/2" USS nylon, jam, fine
18	700-225-0075	Spacer, axle
19	255-0007	Washer, 1-1/2", flat, grade 8
20	225-0014	Dust cap
21	TC-109	Bearing, outer
22	225-0010	Hub, assembly complete
23	225-0013	Bearing, inner
24	225-0015	Seal
25	225-0011	Spindle, with nut & pin
26	225-0028	Gang arm, 8', PA-800
	225-0029	Gang arm, 10', PA-1000
	225-0030	Gang arm, 12', PA-1200
	225-0031	Gang arm, 15', PA-1500
27	225-0040	Pin, pivot, gang arm
28	PRO38S32Z	Pin, roll, 3/8 X 2"

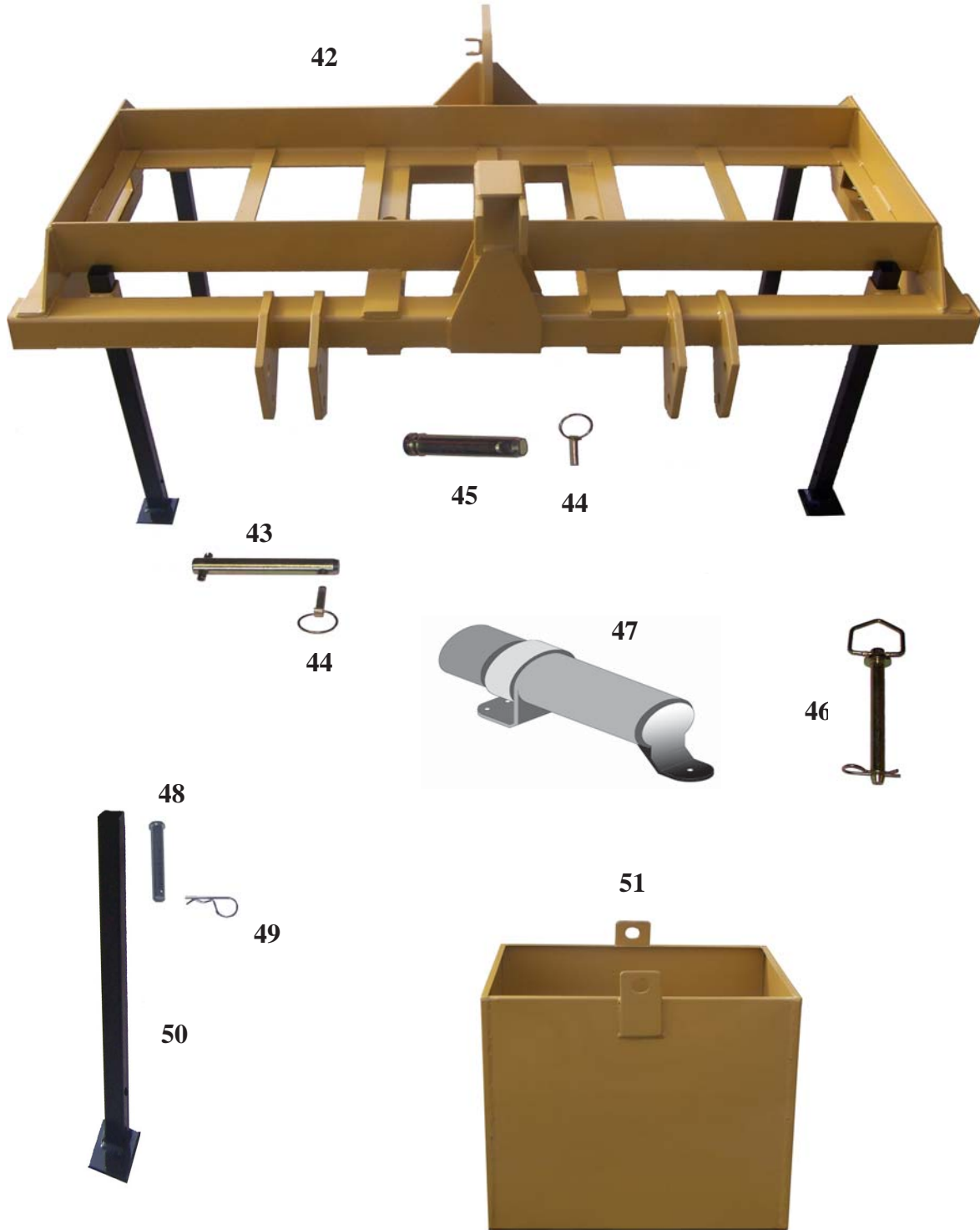
# Replacement Parts PA-Series



# Replacement Parts PA-Series

Ref. No.	Part No.	Description
29	225-0024	Cylinder, hydraulic, 3" x 12"
	225-0025	Cylinder, hydraulic, 4" x 12"
30	225-0026	Hose, hydraulic
31	225-0046	Jack
32	225-0016	Tire & wheel
33	225-0041	Pin, pivot
34	PRO38S32Z	Pin, roll, 3/8" x 2"
35	225-0032	Carrier, 2-spindle
	225-0033	Carrier, 4-spindle
36	UT-207A	Pin with hair clip
37	225-0048	Tongue
38	500-22	Pin
39	TC-126A	Pin
40	225-0049	Brace, tongue
41	225-0068	Strap, hyd. hose

# Replacement Parts PA-Series



# Replacement Parts PA-Series

Ref. No.	Part No.	Description
42	225-0020	Frame, 8', PA-800
	225-0021	Frame, 10', PA-1000
	225-0022	Frame, 12', PA-1200
	225-0023	Frame, 15', PA-1500
43	TC-126	Pin, CAT. II, lift
44	TC-126A	Pin, lynch, 7/16"
45	500-22	Pin, CAT II, top link
46	UT-207A	Pin, with hair clip
47	MH-01	Manual holder
48	225-0064	Pin, clevis, 1/2" x 3"
49	226-0065	Pin, hair clip
50	225-0044	Stand
51	225-0047	Weight box
*NP	225-0050	Light kit, 8'
NP	225-0051	Light kit, 10'
NP	225-0052	Light kit, 12'
NP	225-0053	Light kit, 15'
NP	225-0054	SMV, placard
NP	225-0055	SMV, placard bracket
NP	255-0008	Wiring harness clip

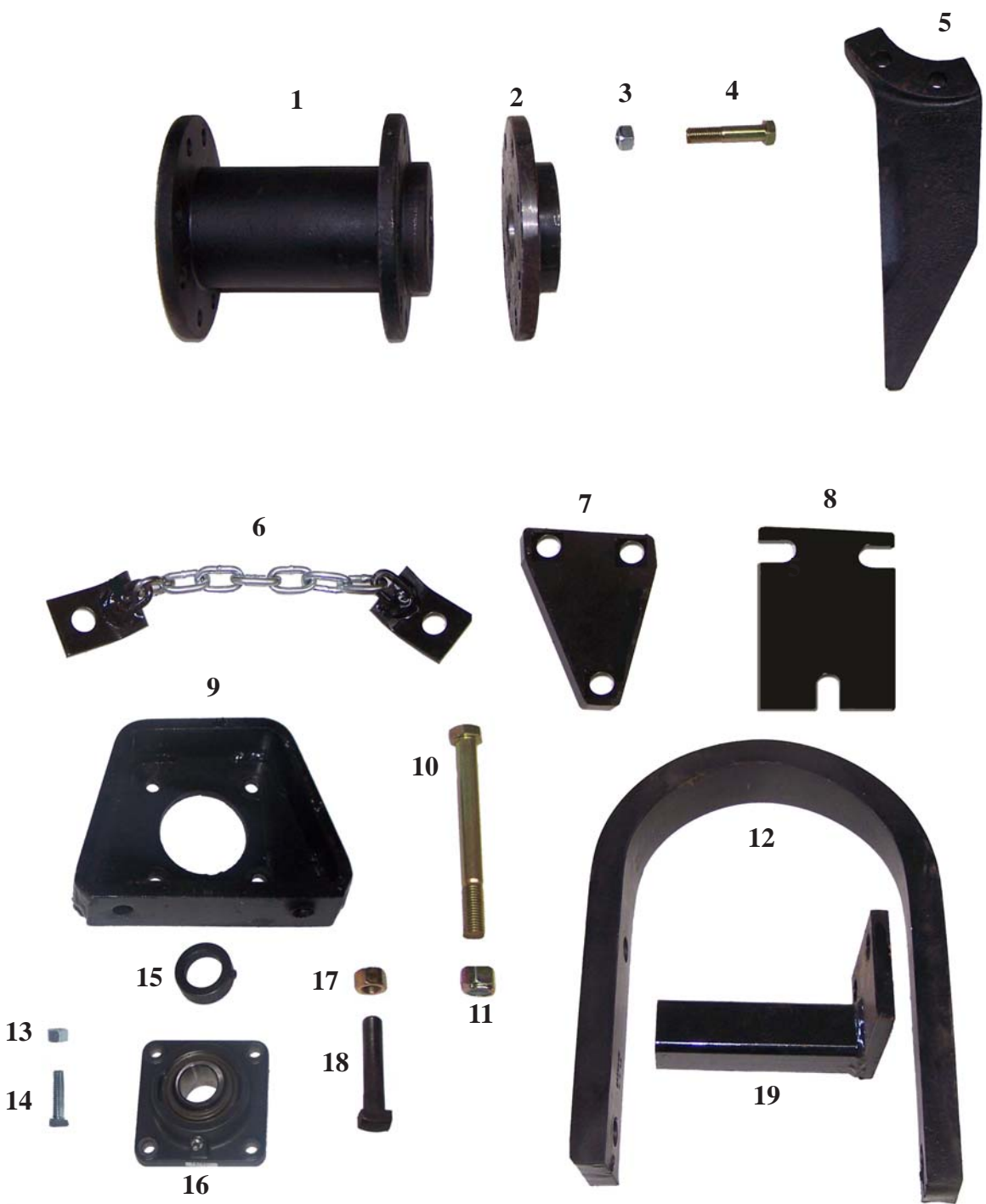
\* NOT PICTURED PARTS

# NOTES

REPLACEMENT PARTS  
FOR ALL PB - SERIES  
BROWN AERATOR

MODEL#'S  
PB-800, PB-1000  
PB-1200 & PB1500

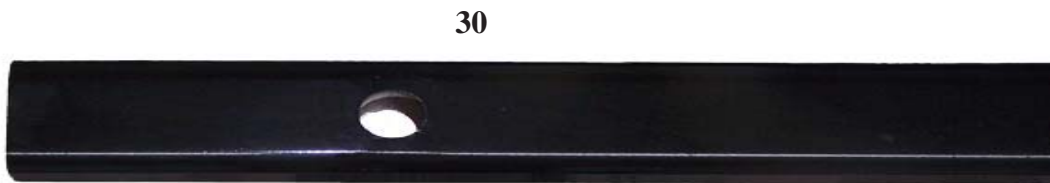
# Replacement Parts PB-Series



# Replacement Parts PB-Series

Ref. No.	Part No.	Description
1	225-0008	Spool, 7.25", "DISREGARD NUMBER IN CASTING"
2	225-0002	Spool, end
3	NSB50CZ	Nut, stover lock, 1/2"
4	HC88C44Z	Bolt, 1/2-13 x 2-3/4 "GR 8
5	225-0003	Tine, LH
	225-0004	Tine, RH
	225-0123	Tine, set of 1`2 #225-0003
	225-0124	Tine, set of 12 #225-0004
6	225-0058	Chain, assembly, safety
7	700-225-0010	Bracket, C-flex shank
8	225-0063	Shim, C-flex spring
9	225-0069	Bracket, bearing, 4-hole flange
10	HC812F136Z	Bolt, 3/4-16 X 8-1/2", grade 8
11	NNE834FZ	Nut, nylon lock, 3/4-16, grade 8
12	225-0005	Spring, C-flex shank, RH
	225-0006	Spring, C-flex shank, LH
13	NSB50CZ	Nut, stover lock, 1/2-13
14	HC58C24Z	Bolt, 1/2-13 x 1-1/2"
15	NO PART#	Comes with bearing
16	225-0066	Bearing,4-hole flange, 1-1/2"
17	NNE834FZ	Nut, nylon lock, 3/4-16, grade 8
18	HC812F56Z	Bolt, 3/4-16 x 3-1/2, grade 8
19	225-0056	Block, stop, C-flex spring, LH
	225-0057	Block, stop, C-flex spring, RH

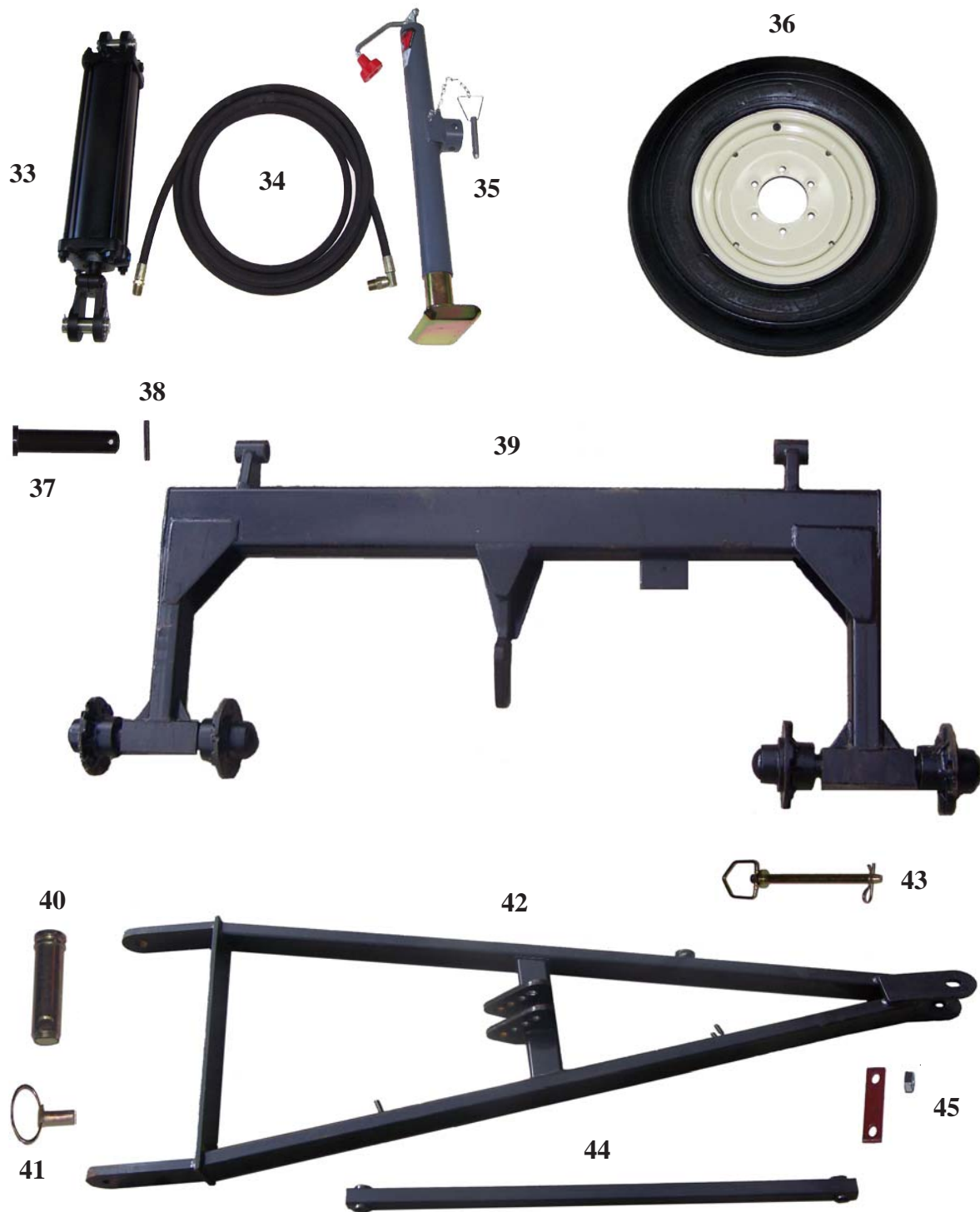
# Replacement Parts PB-Series



# Replacement Parts PB-Series

Ref. No.	Part No.	Description
20	225-0036	Axle, weldment, 8', PA-800
	225-0037	Axle, weldment, 10' PA-1000
	225-0038	Axle, weldment, 12' PA-1200
	225-0039	Axle, weldment, 15' PA-1500
21	255-0006	Nut, slotted, 1-1/2"-12
21A	TC-135	Pin, cotter, 3/16 x 3"
22	700-225-0075	Spacer, axle
23	255-0007	Washer, 1-1/2", flat, grade 8
24	225-0014	Dust cap
25	TC-109	Bearing, outer
26	225-0010	Hub, assembly complete
27	225-0013	Bearing, inner
28	225-0015	Seal
29	225-0011	Spindle, with nut & pin
30	225-0028	Gang arm, 8', PA-800
	225-0029	Gang arm, 10', PA-1000
	225-0030	Gang arm, 12', PA-1200
	225-0031	Gang arm, 15', PA-1500
31	225-0040	Pin, pivot, gang arm
32	PRO38S32Z	Pin, roll, 3/8 X 2"

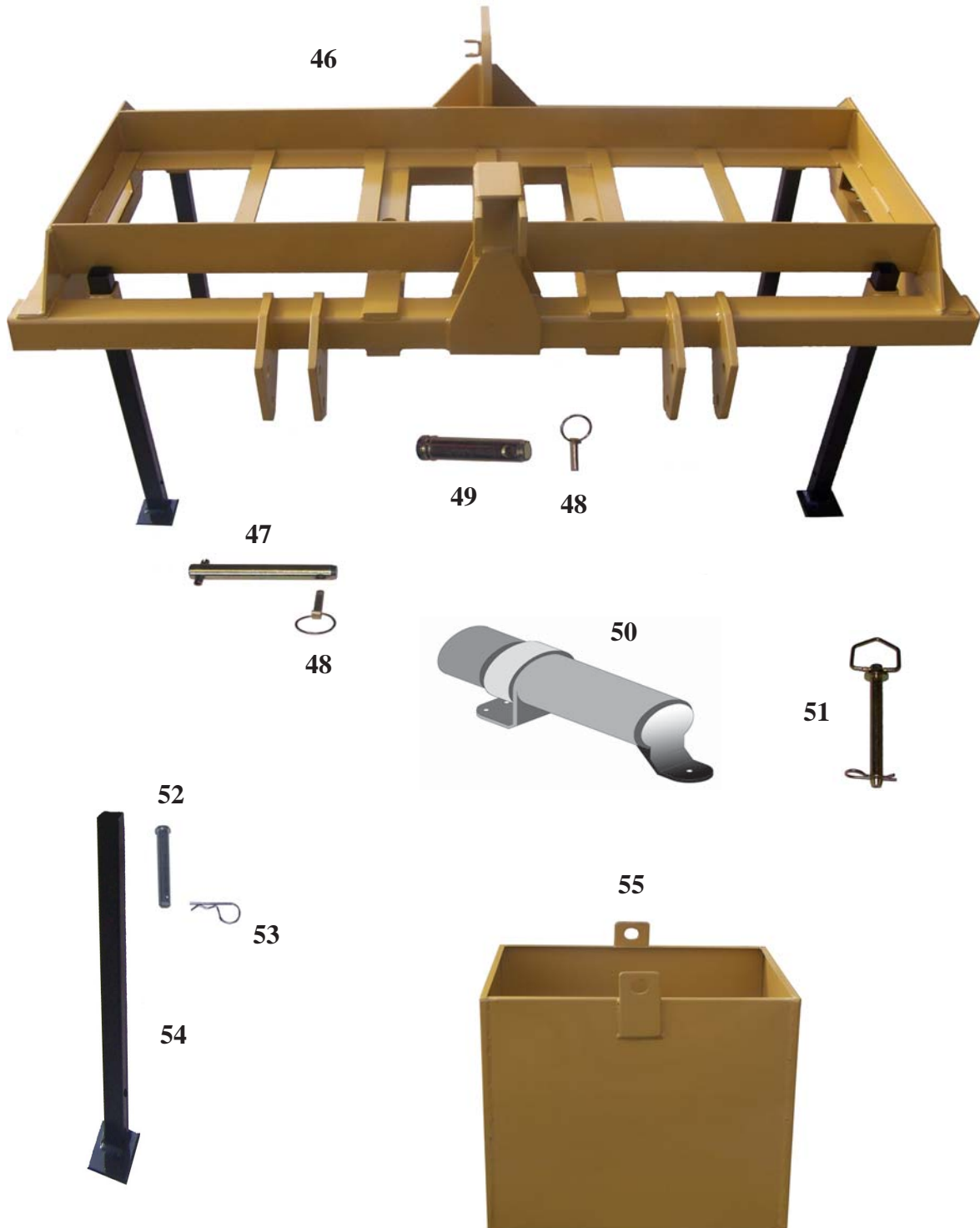
# Replacement Parts PB-Series



# Replacement Parts PB-Series

Ref. No.	Part No.	Description
33	225-0024	Cylinder, hydraulic, 3" x 12"
	225-0025	Cylinder, hydraulic, 4" x 12"
34	225-0026	Hose, hydraulic
35	225-0046	Jack
36	225-0016	Tire & wheel
37	225-0041	Pin, pivot
38	PRO38S32Z	Pin, roll, 3/8" x 2"
39	225-0032	Carrier, 2-spindle
	225-0033	Carrier, 4-spindle
40	500-22	Pin
41	TC-126A	Pin
42	225-0048	Tongue
43	UT-207A	Pin with hair clip
44	225-0049	Brace, tongue
45	225-0068	Strap, hyd. hose

# Replacement Parts PB-Series



# Replacement Parts PB-Series

Ref. No.	Part No.	Description
46	225-0020	Frame, 8', PA-800
	225-0021	Frame, 10', PA-1000
	225-0022	Frame, 12', PA-1200
	225-0023	Frame, 15', PA-1500
47	TC-126	Pin, CAT. II, lift
48	TC-126A	Pin, lynch, 7/16"
49	500-22	Pin, CAT II, top link
50	MH-01	Manual holder
51	UT-207A	Pin, with hair clip
52	225-0064	Pin, clevis, 1/2" x 3"
53	226-0065	Pin, hair clip
54	225-0044	Stand
55	225-0047	Weight box
*NP	225-0050	Light kit, 8'
NP	225-0051	Light kit, 10'
NP	225-0052	Light kit, 12'
NP	225-0053	Light kit, 15'
NP	225-0054	SMV, placard
NP	225-0055	SMV, placard bracket
NP	255-0008	Wiring harness clip

\* NOT PICTURED PARTS

# NOTES



**MANUFACTURING CORPORATION**

6001 EAST HIGHWAY 27 - OZARK, AL. 36360 - (334) 795-6603